

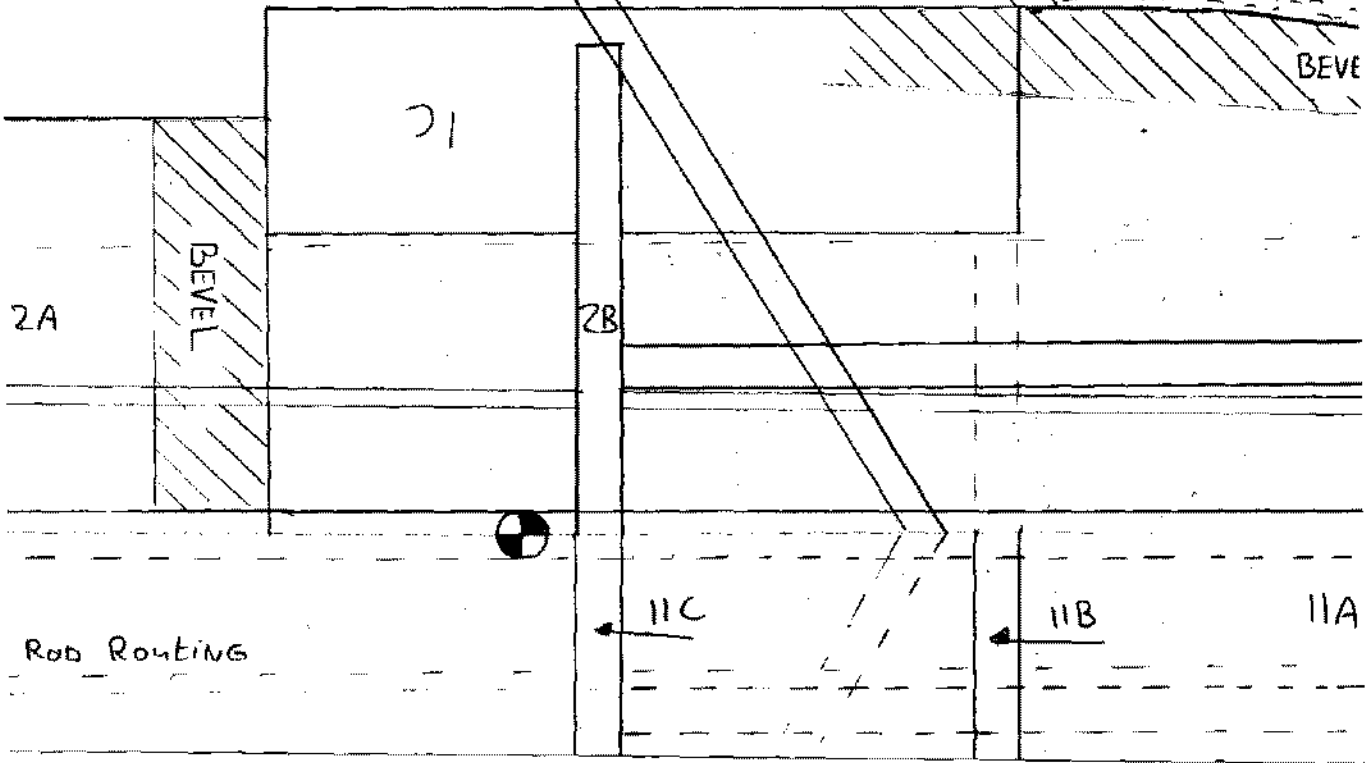
THROUGH DEPRON
DRY BLOCK

2C



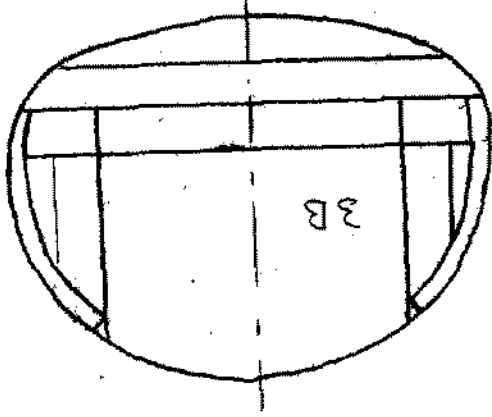
FIBER
5mm

D



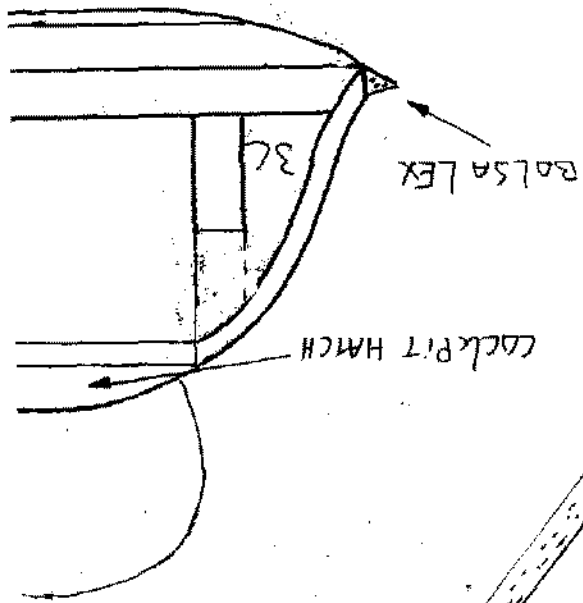
IP PROTECTION

CROSS SECTION A-A

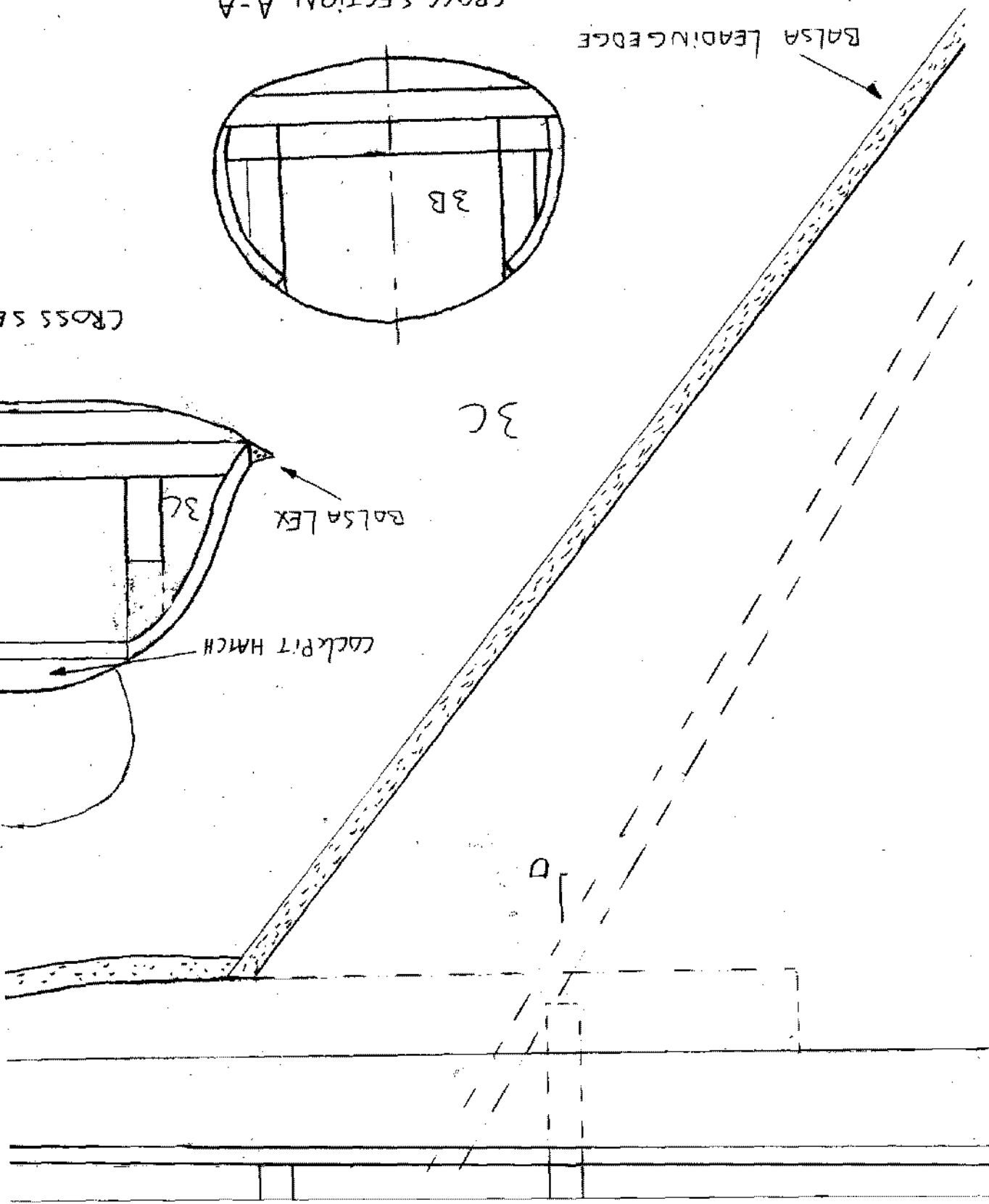


BALSA LEADING EDGE

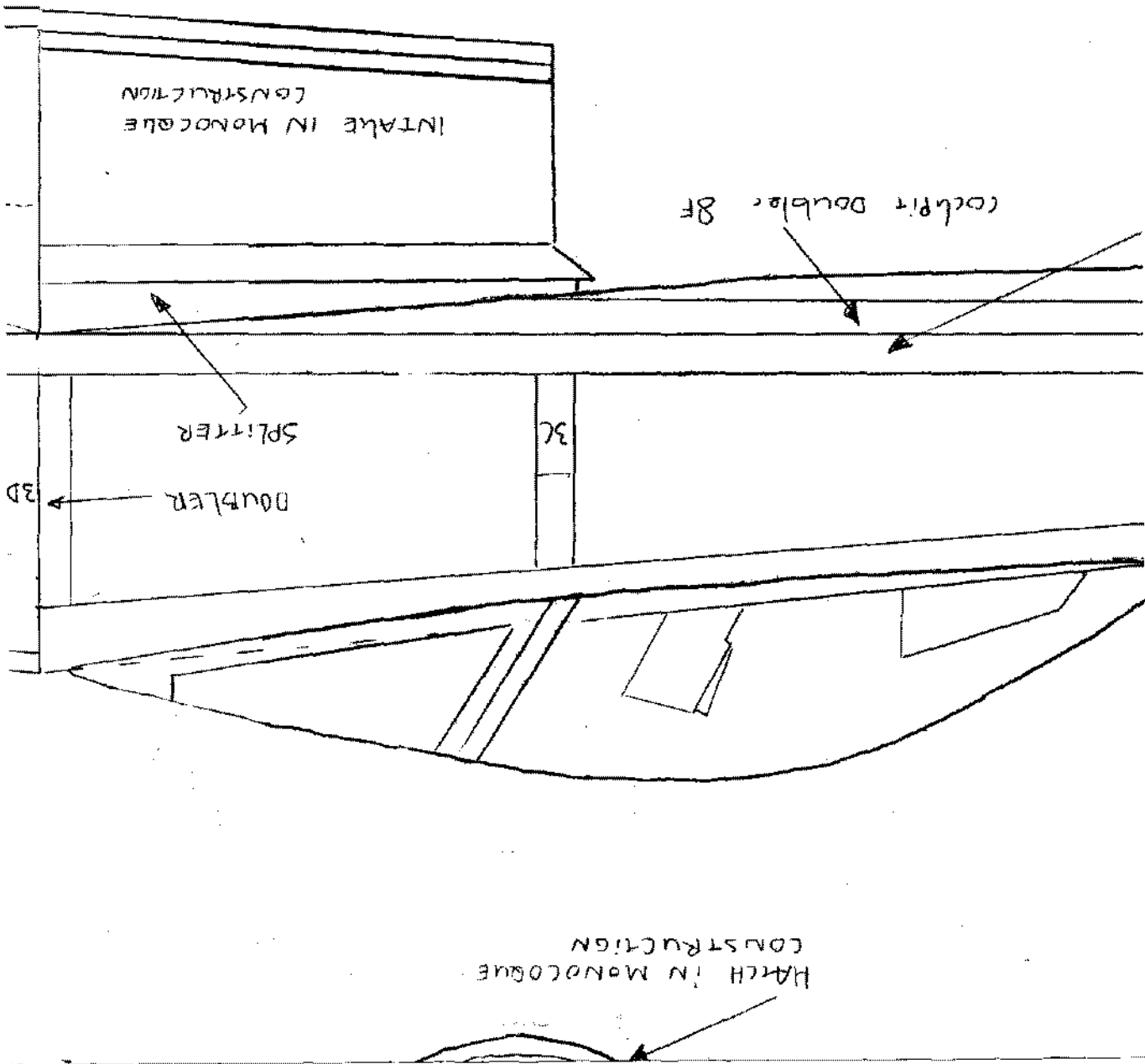
CROSS SE

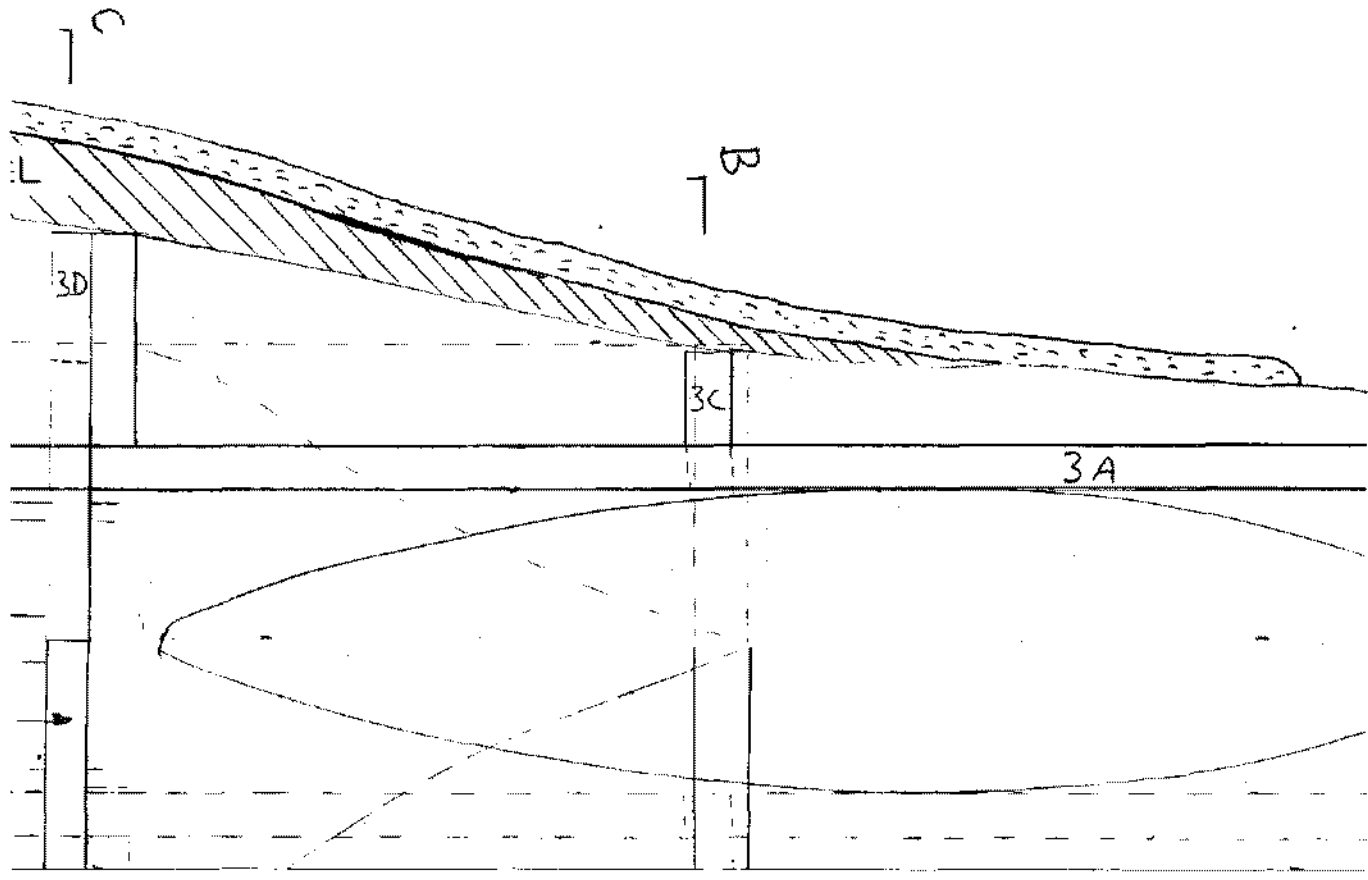
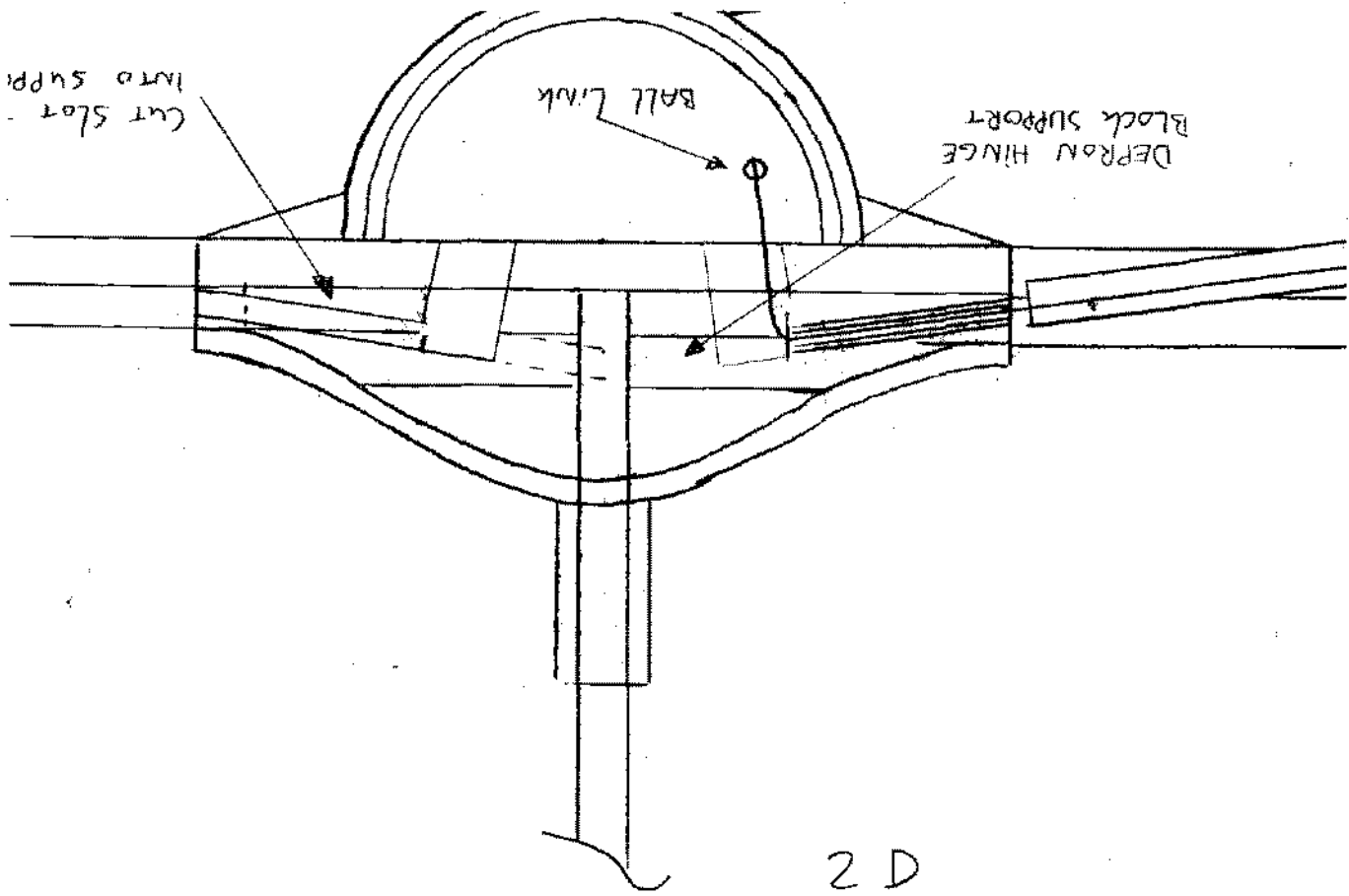


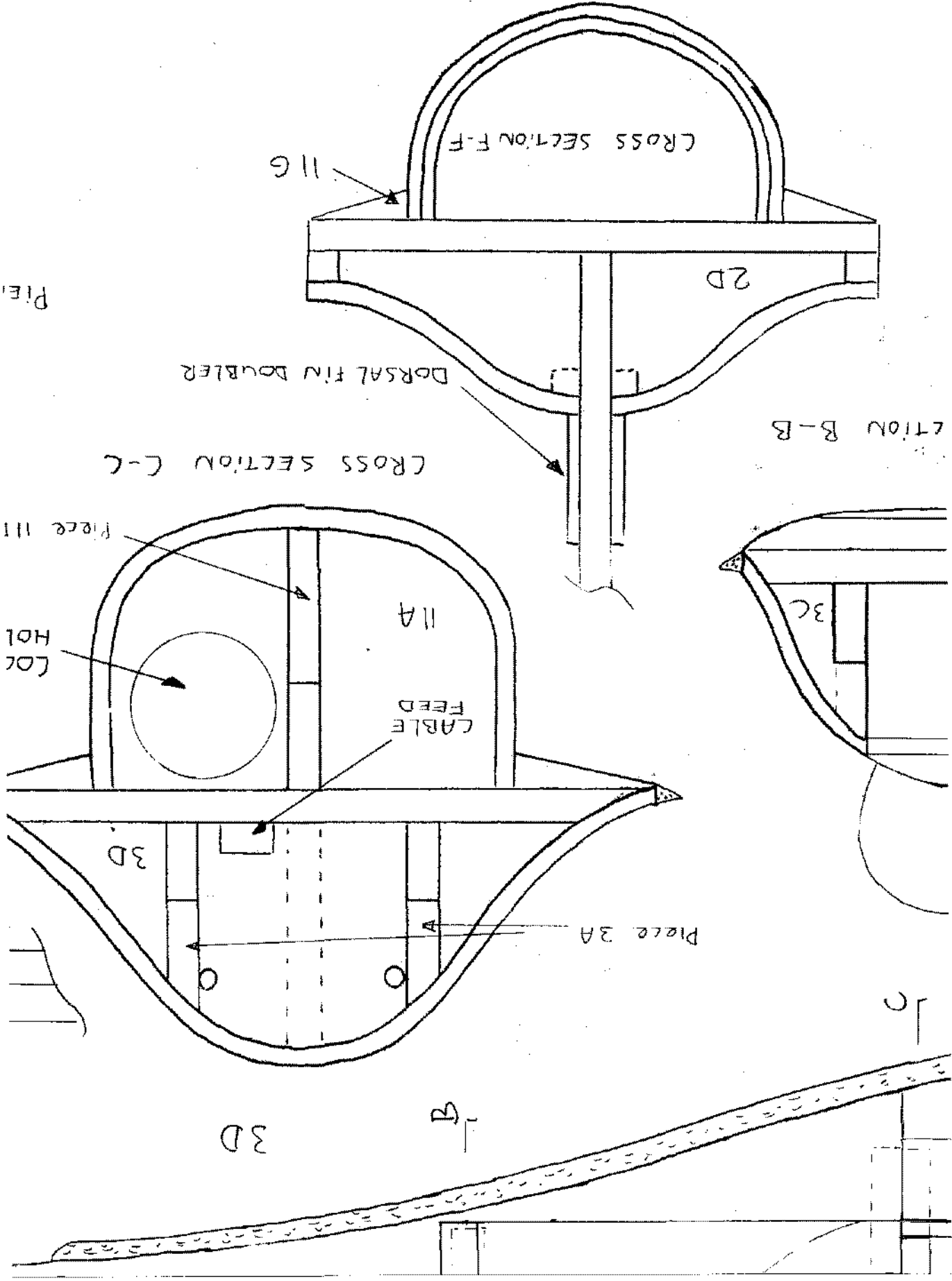
3C



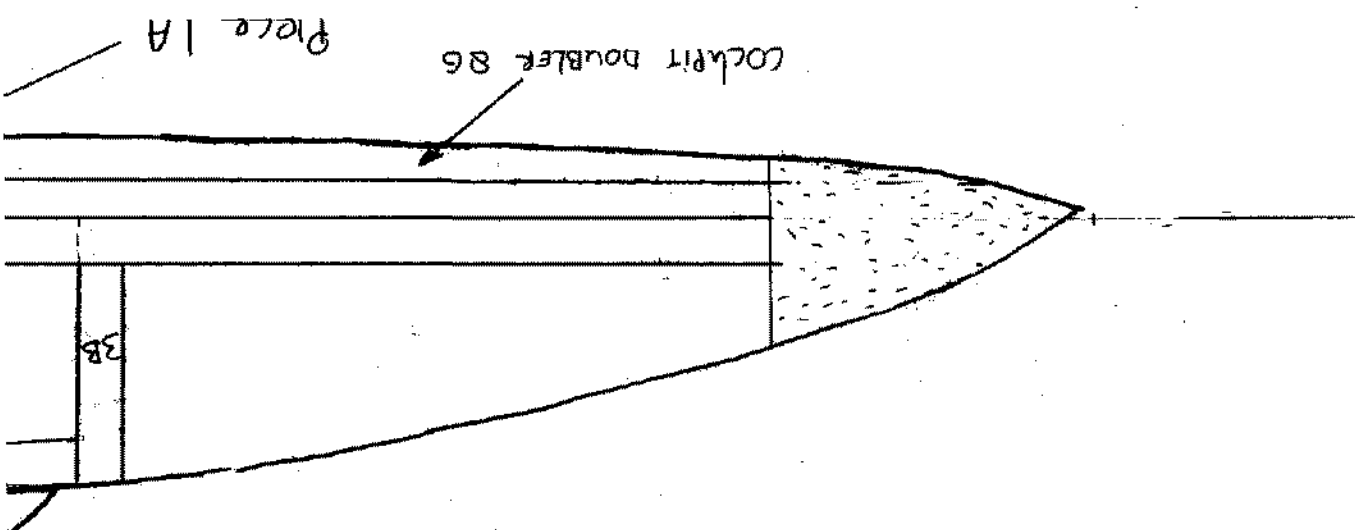
1 D



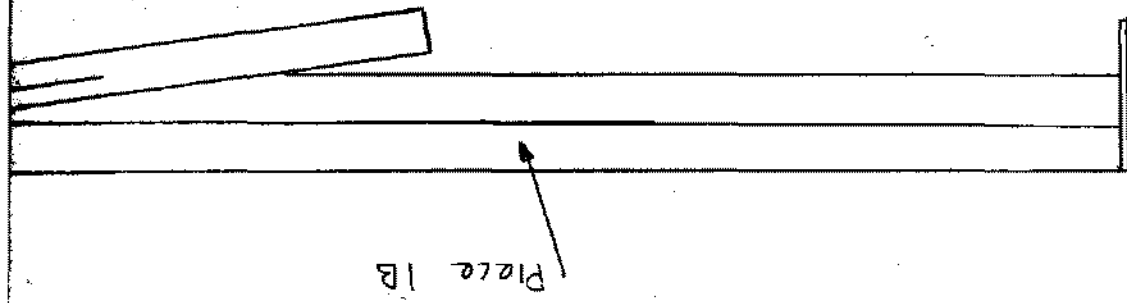




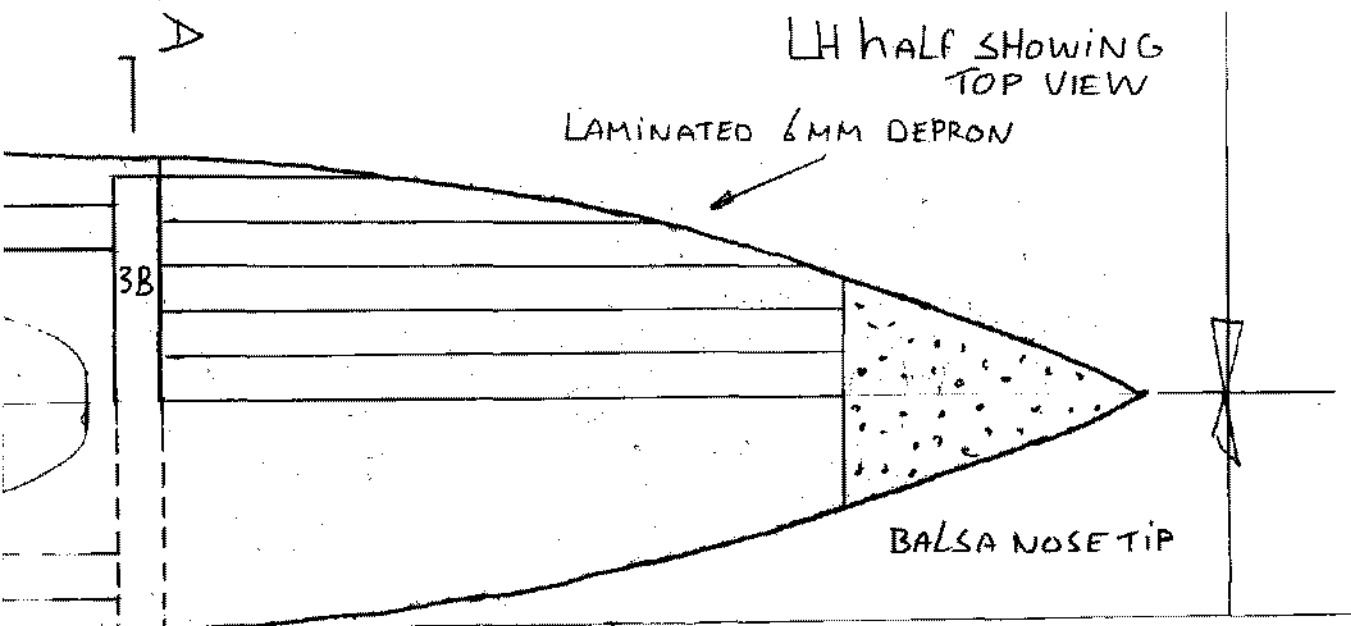
1E



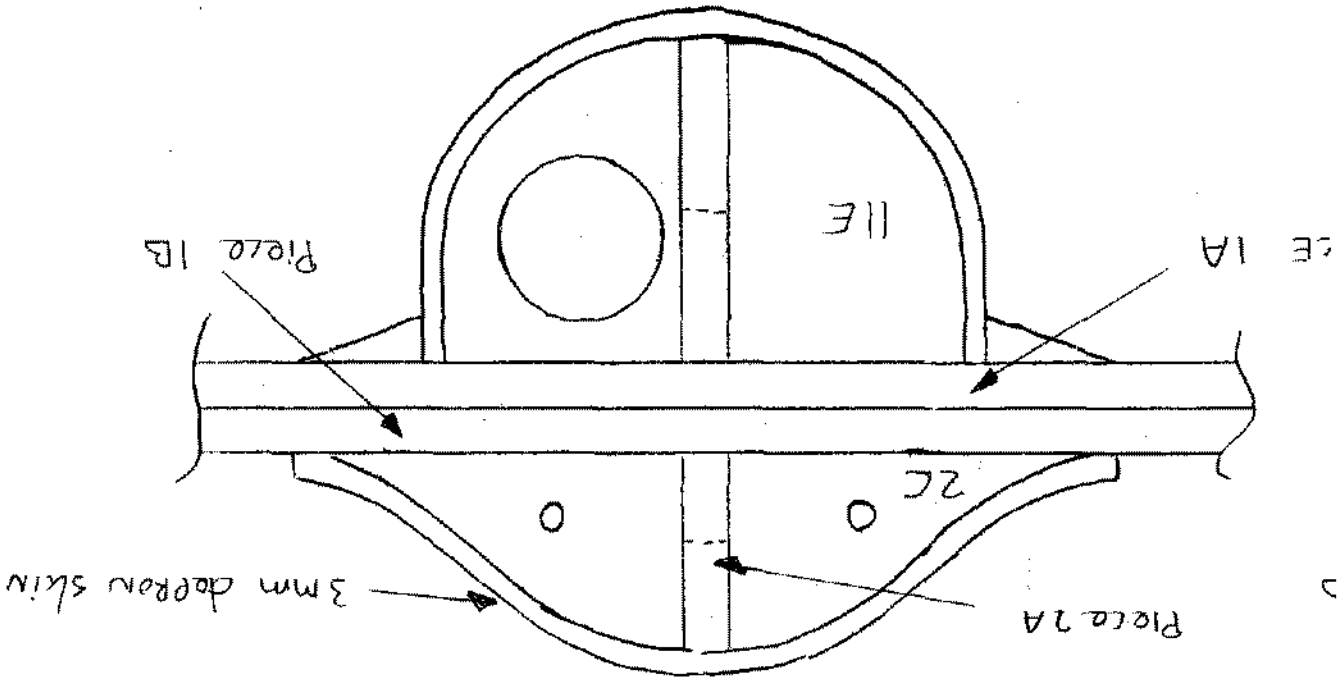
38



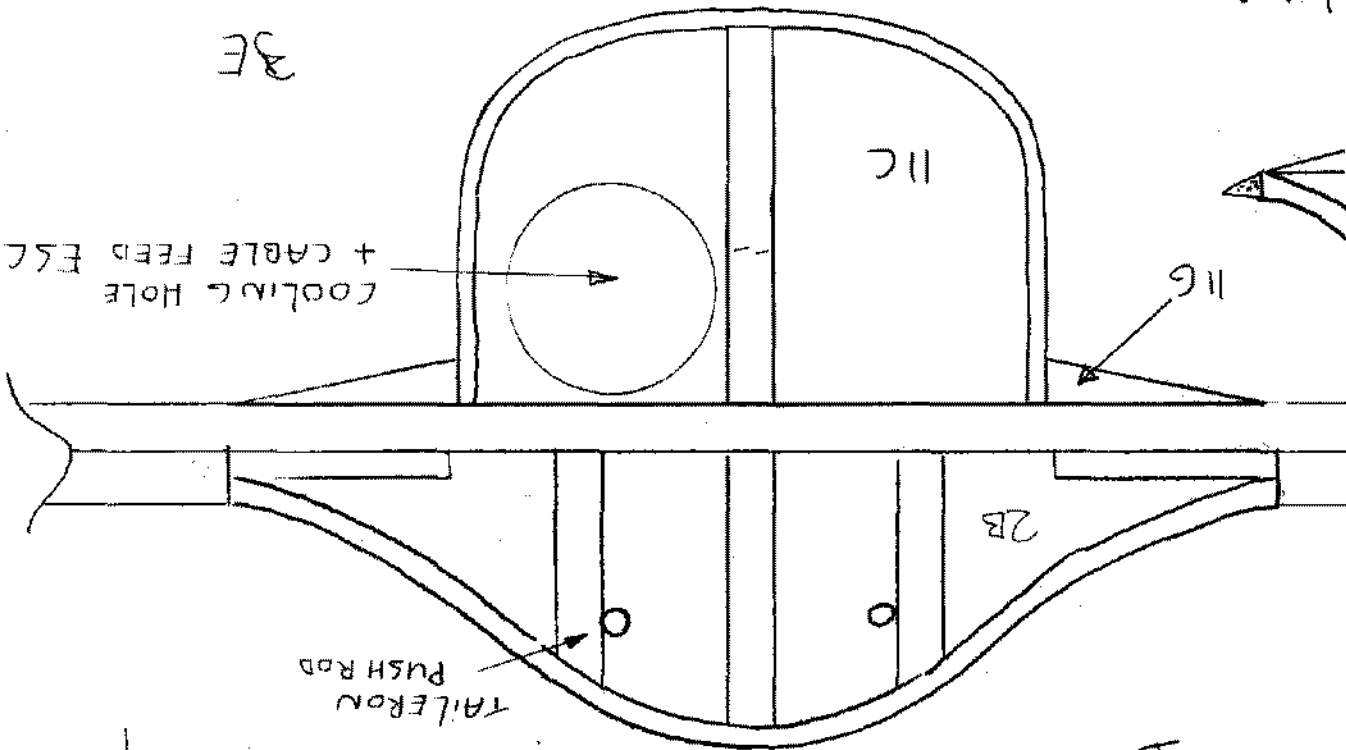
2E



CROSS SECTION E-E



CROSS SECTION D-D



RH half showing
Bottom view

SLING



A