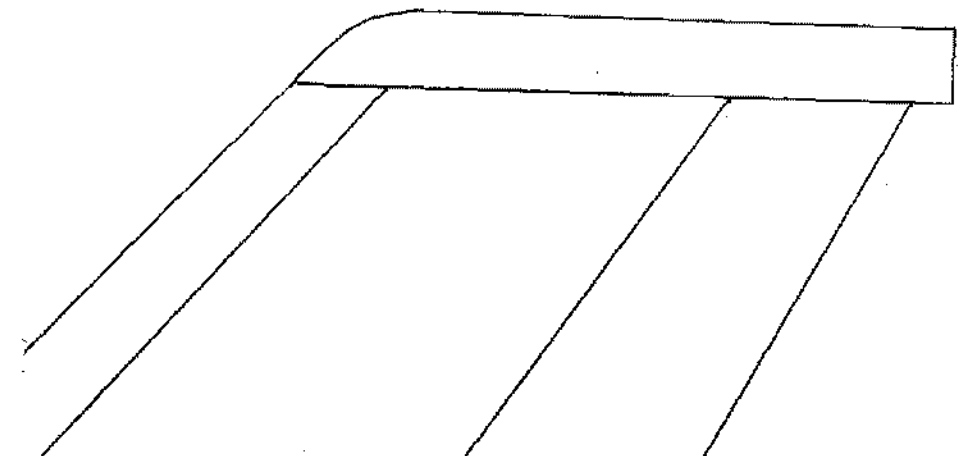
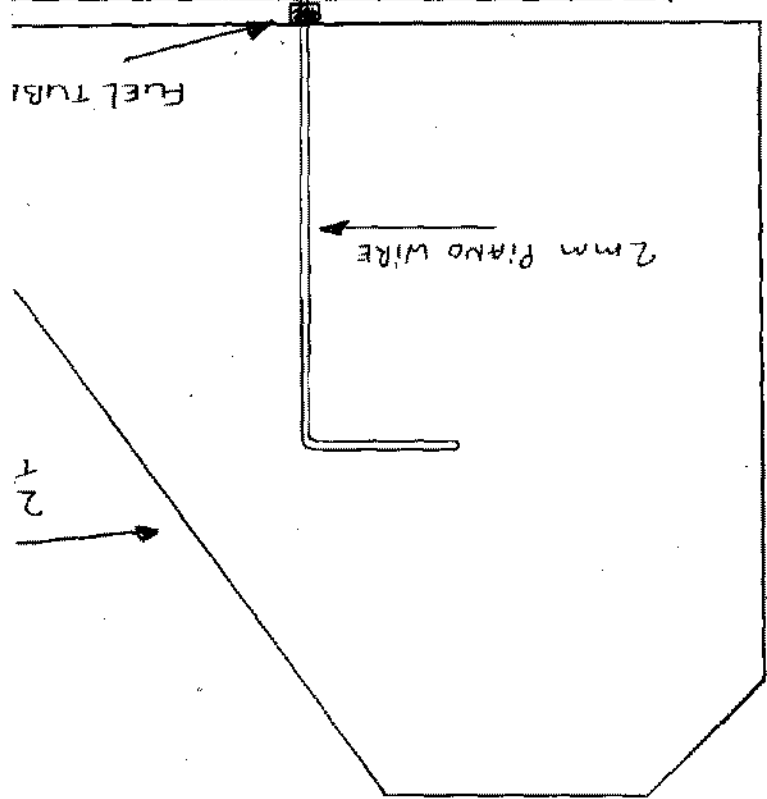
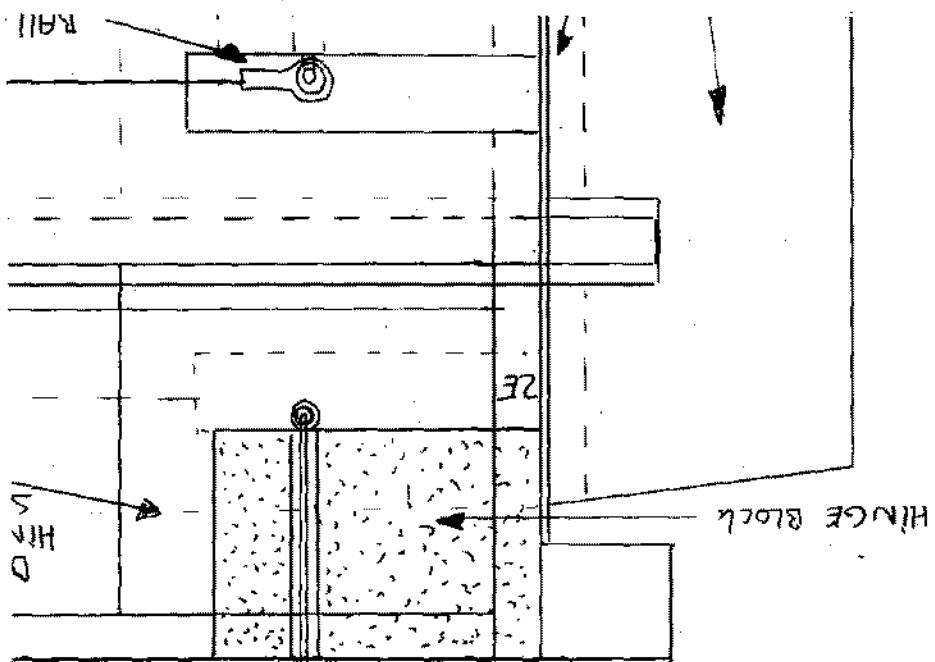


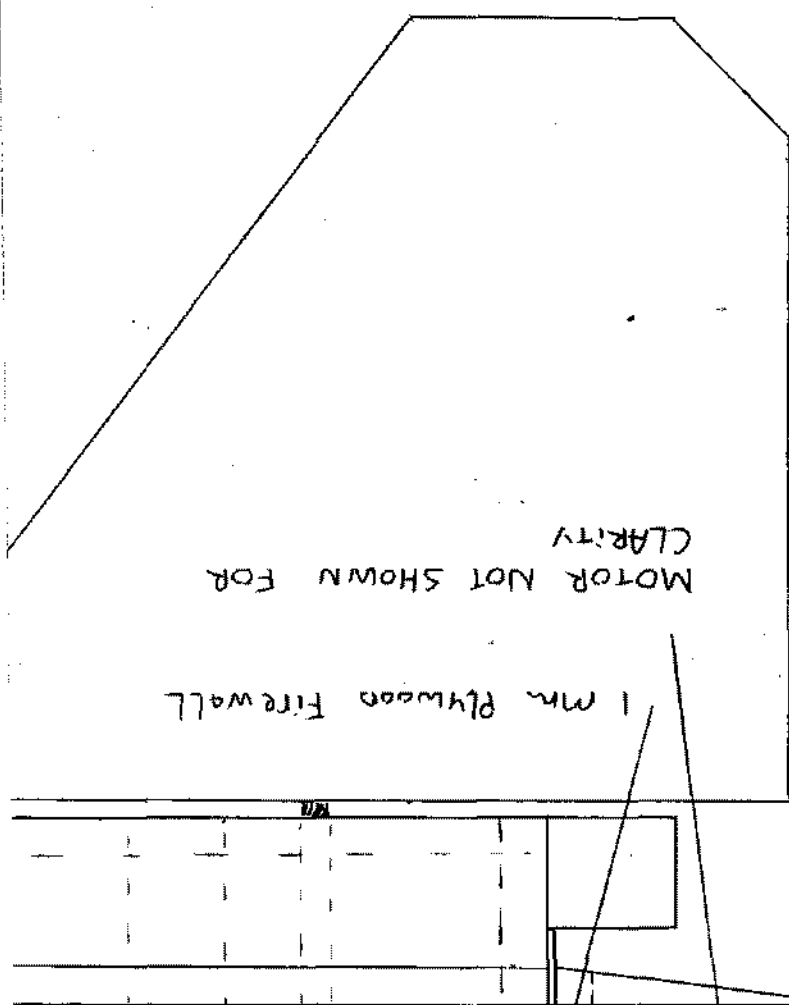
1A



2A

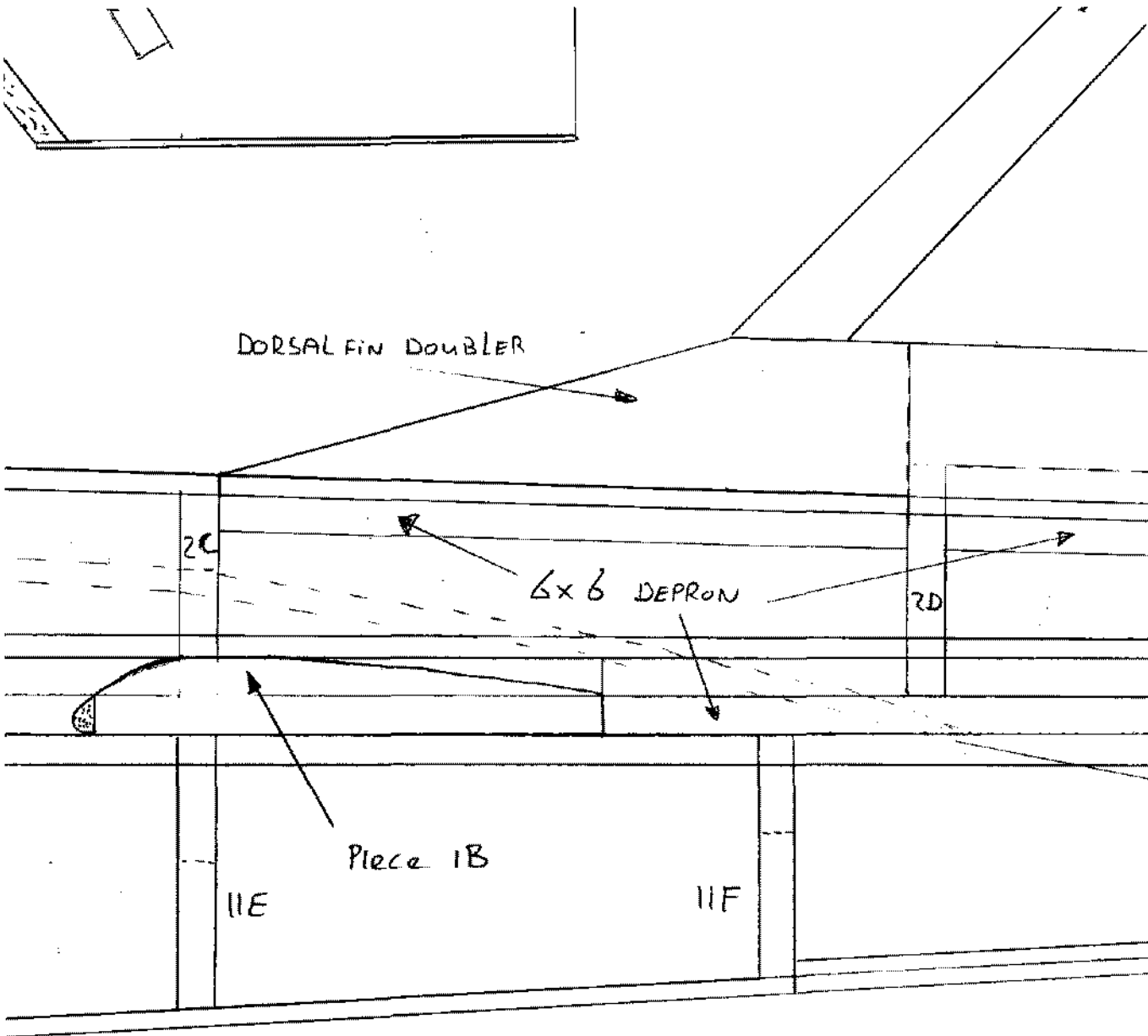
F-16 FIGHTING FALCON
DESIGNED BY STEFAN LAMERS
ELECTRIC PUSHER PROP
WEIGHT APPROX 430 GRAM

3/10

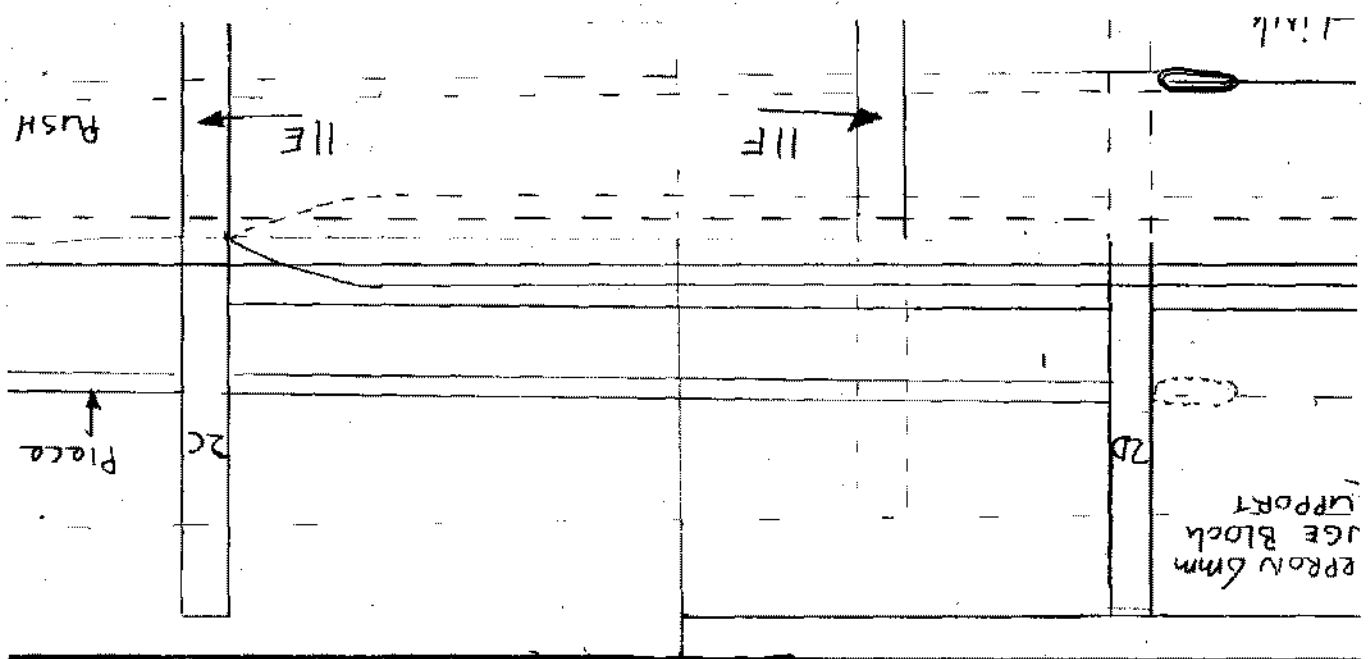


1 mm Plywood Firewall

MOTOR NOT SHOWN FOR CLARITY



1B



11A

FLUSH

11E

11F

PLATE

2C

2D

EPKON 6mm
JIG BLOCK
SUPPORT

11

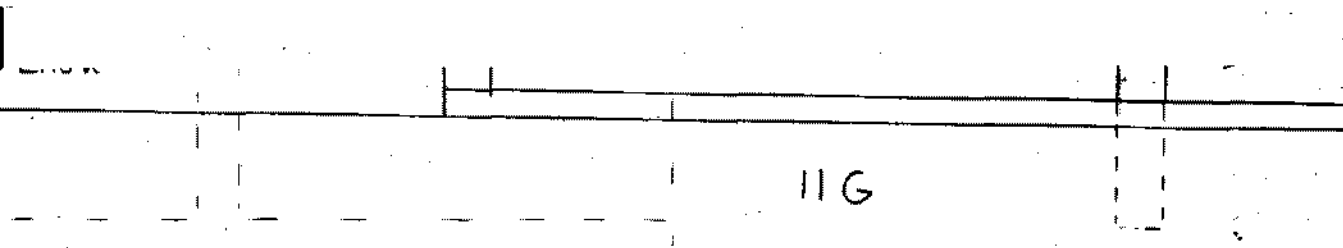
11

BUSH

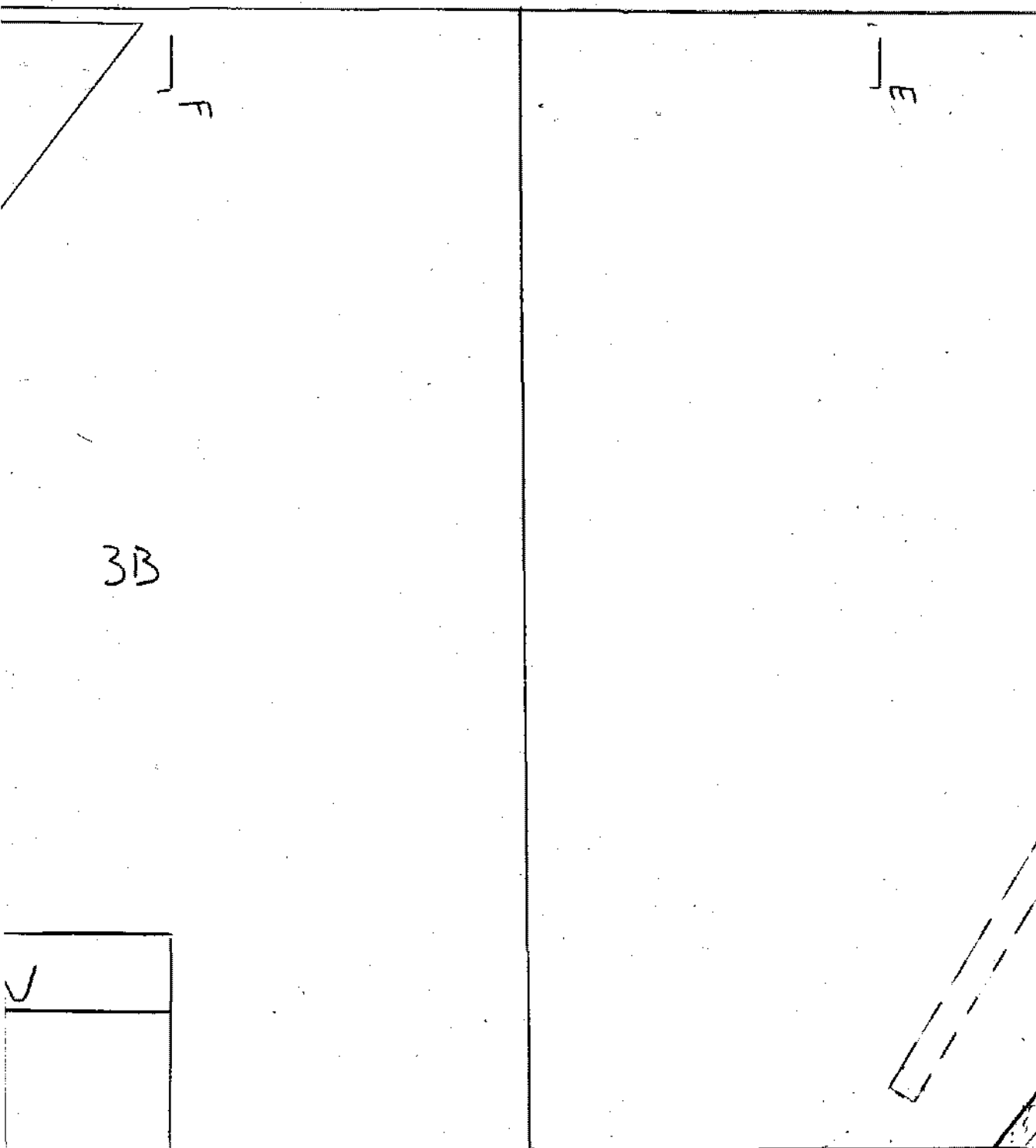
X 3mm LAMINATED
ALERON

CARBON
ROD Ø

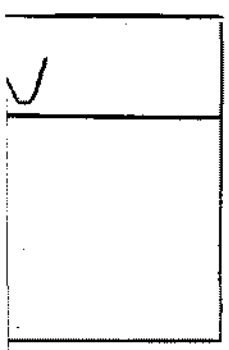
2B



11G



3B



1mm PLYWOOD T

